

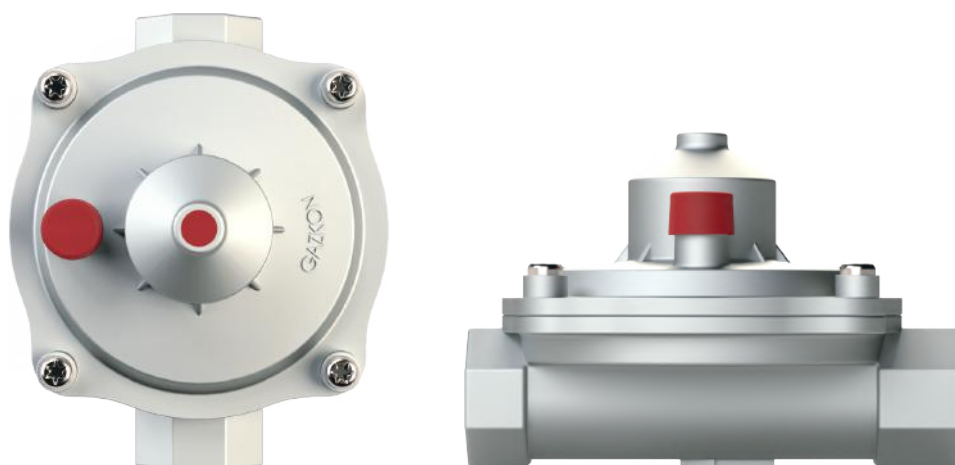
GTR-HK SERIES

GTR-HK

INTRODUCTION

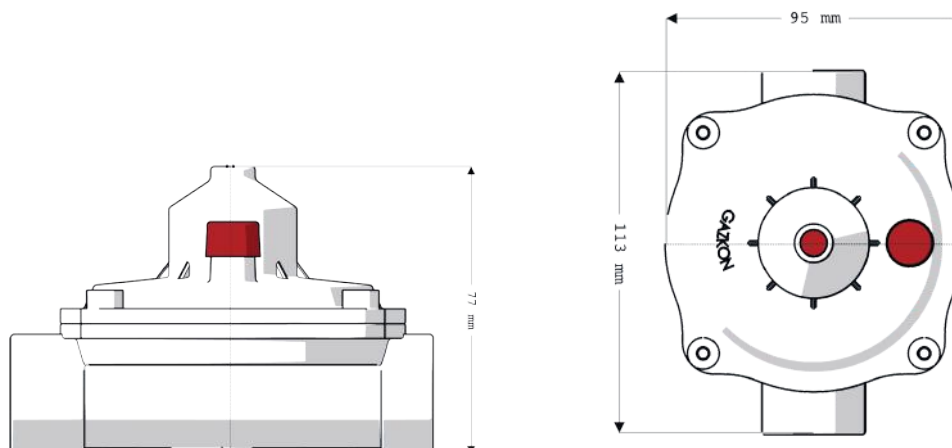
The GTR series regulators are single-stage products designed for residential applications and operate with a lever system. The regulator is directly mounted for use at the inlet of combi boilers.

The regulator can be used with natural gas, LPG, propane, and city gas. The compact design of the regulator provides both ease of installation and space-saving advantages.



Inlet Pressure	0,5 - 4 bar
Outlet Pressure	21 - 300 mbar
AC / RG	10 / 20
Ambient Temperature	-20°C to +60°C
Capacity Range	Max. 10 m ³ /h

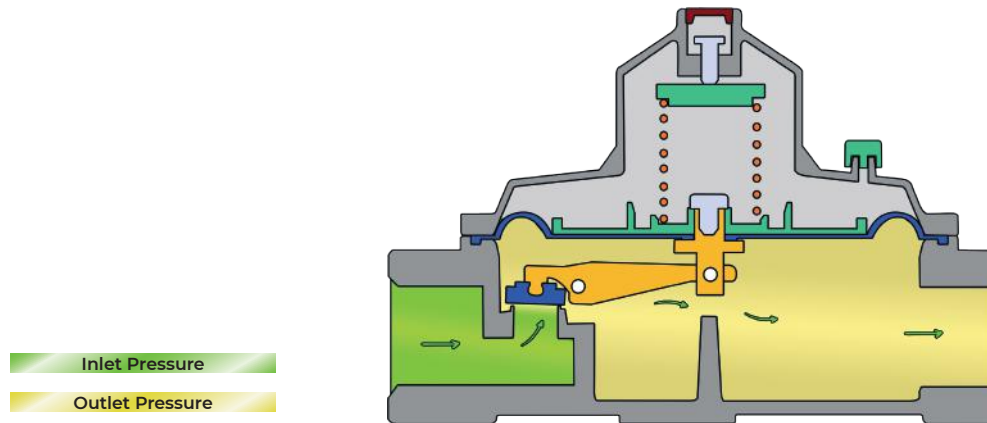
DIMENSION AND WEIGHTS



GTR-HK

OPERATING PRINCIPLE

The regulator has a simple structure consisting of a diaphragm, a spring, and a valve. The output pressure is sensed by the diaphragm and balanced to the desired value by the spring. The output pressure can be increased or decreased using the output pressure adjustment screw.



MATERIALS

BODY AND HEADS Die-Cast Aluminum

INTERNAL PARTS Brass/Plastic

DIAPHRAGM NITRILE Nitrile Rubber

COMMISSIONING

- Before commissioning the regulator, ensure that the pipeline connections are made correctly.
- The inlet and outlet valves should be closed.
- Slowly open the inlet valve; the regulator will automatically adjust itself through its internal signal.
- Slowly partially open the outlet valve and wait for the line to fill. Then, fully open the outlet valve.